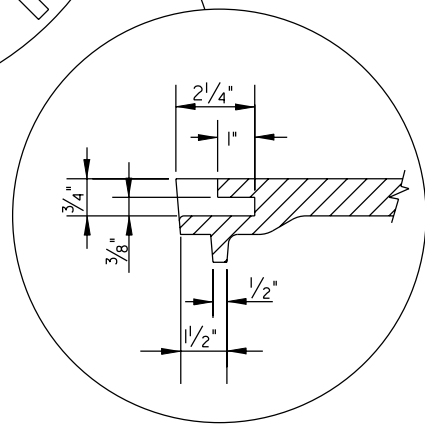
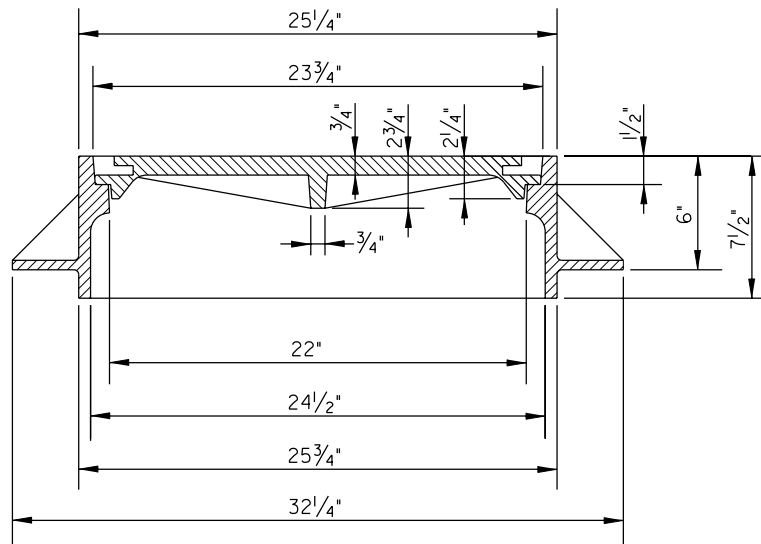


TO BE LETTERED
"CITY OF EMERSON
WATER VALVE"

PLAN



NOTE:
WATERPROOF FRAME & COVER
DETAILS NOT SHOWN, SEE
DRAWINGS FOR LOCATIONS.



SECTIONAL VIEW

**CITY OF
EMERSON**

WATER & SEWER DEPARTMENT

**STD. MANHOLE
FRAME & COVER**

CONSTRUCTION STANDARD

DATE: 8/15/2008

REVISION DATE

REVISION DATE

REVISION DATE

REVISION DATE

STANDARD
DETAIL
NO.

5.11