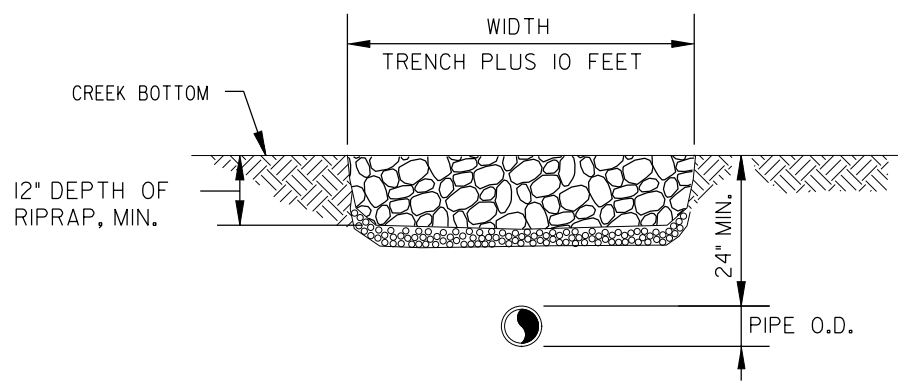


ELEVATION



SECTION

NOTES:

1. THIS DETAIL IS APPLICABLE ONLY TO CREEK OR STREAM CROSSINGS LESS THAN OR EQUAL TO 15 FT IN WIDTH AT THE NORMAL WATER LEVEL.
2. USE CLASS B BEDDING FOR PIPE UNLESS OTHERWISE SPECIFIED.
3. PIPE SHALL BE DUCTILE IRON WHERE COVER OVER PIPE IS LESS THAN 36 INCHES.
4. FOR PRESSURE PIPING, PROVIDE RESTRAINED JOINTS FOR ALL PIPE AND FITTINGS WITHIN THE CREEK CROSSING.

CITY OF EMERSON WATER & SEWER DEPARTMENT	MINOR CREEK CROSSING CONSTRUCTION STANDARD	DATE: 8/15/2008	STANDARD DETAIL NO. 5.06
		REVISION DATE	
		REVISION DATE	
		REVISION DATE	
		REVISION DATE	