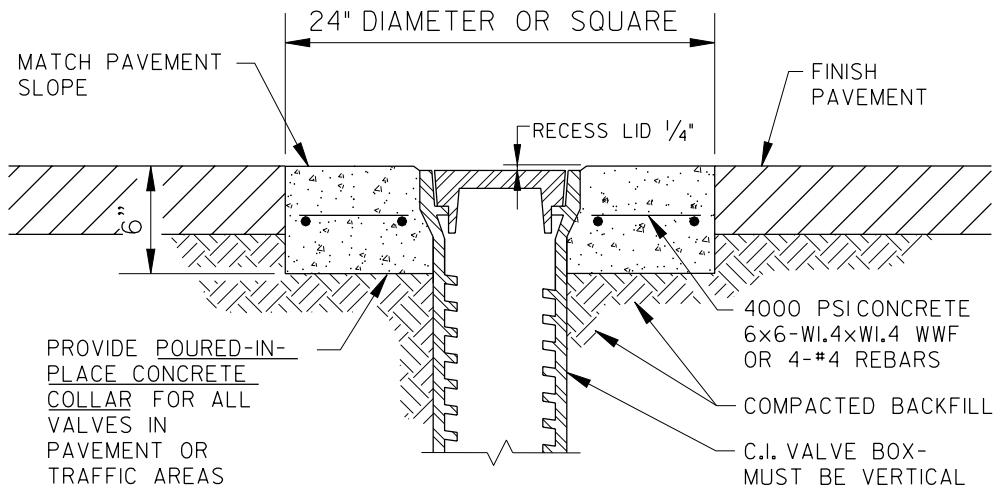


IN NON-TRAFFIC AREAS



IN TRAFFIC OR PAVEMENT AREAS

**CITY OF
EMERSON**

WATER & SEWER DEPARTMENT

**CONCRETE COLLAR
FOR
WATER VALVES**
CONSTRUCTION STANDARD

DATE: 8/15/2008

REVISION DATE

REVISION DATE

REVISION DATE

REVISION DATE

STANDARD
DETAIL
NO.

5.03